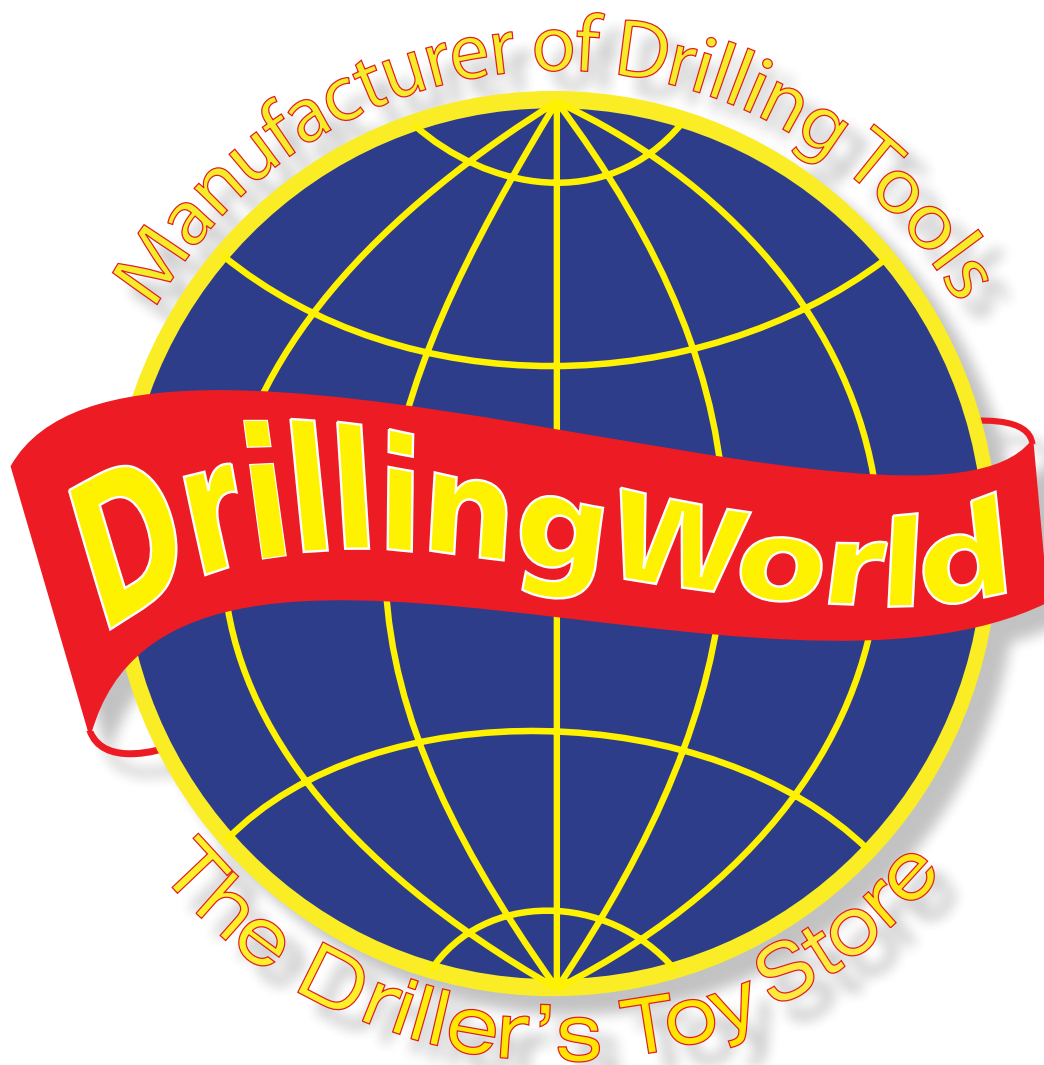


# Fencing & Handheld





# Dirt Augers



- 4' Standard Stocking Length
- 3', 4', 6' Available on Request

Standard Hub Sizes Available: 2" Round  
2 9/16" Round  
2" Hex

Diameter	Teeth Per Auger	Approx lbs.	Cut Diameter
6	2	56	7 1/2
8	4	63	9 1/2
9	4	78	10 1/2
10	4	81	11 5/8
12	4	92	13 5/8
14	6	106	15 1/2
16	6	120	17 1/4
18	6	133	19 3/4
20	6	138	21 1/4
24	8	160	25 1/2
30	10	178	31 1/2
36	12	291	37 1/2
42	15	353	43 1/2
48	20	550	49 1/2

# Dirt Augers - Components

## Heavy Duty Replacment Boring Heads



Part No.	Teeth Per Auger	Dia.	Cut Diameter
6-I	2	6	7 1/2
8-I	4	8	9 1/2
9-I	4	9	10 1/2
10-I	4	10	11 5/8
12-I	4	12	13 5/8
14-I	6	14	15 1/2
16-I	6	16	17 1/4
18-I	6	18	19 3/4
20-I	6	20	21 1/4
24-I	8	24	25 1/2
30-I	10	30	31 1/2
36-I	12	36	37 1/2
42-I	15	42	43 1/2
48-I	20	48	49 1/2

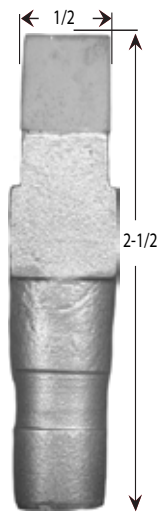
# DP Augers



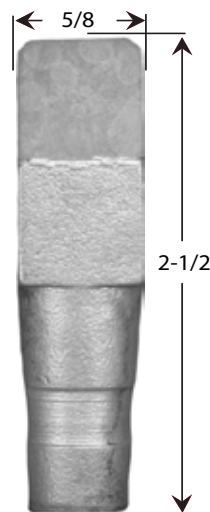
- 4' Standard Stocking Length
- 3', 4', 6' Available on Request
- Standard Hub Sizes Available:  
 Round: 2", 2 9/16"  
 Hex: 1 5/8", 2", 2 1/2", 2 5/8"  
 Square: 1 1/2", 2", 2 1/4", 2 1/2", 2 5/8"

Diameter	# of Bits per Head	Approx lbs.
4 1/2	5	
6	7	
8	11	
10	17	
12	17	

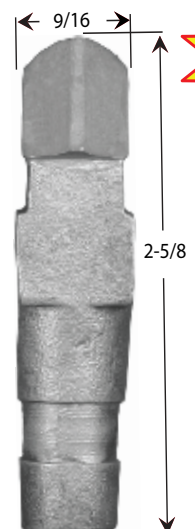
**DP-Bit-I**



**DPHD-Bit-I**



**DPC-Bit-I**



# Bullet Rock Augers

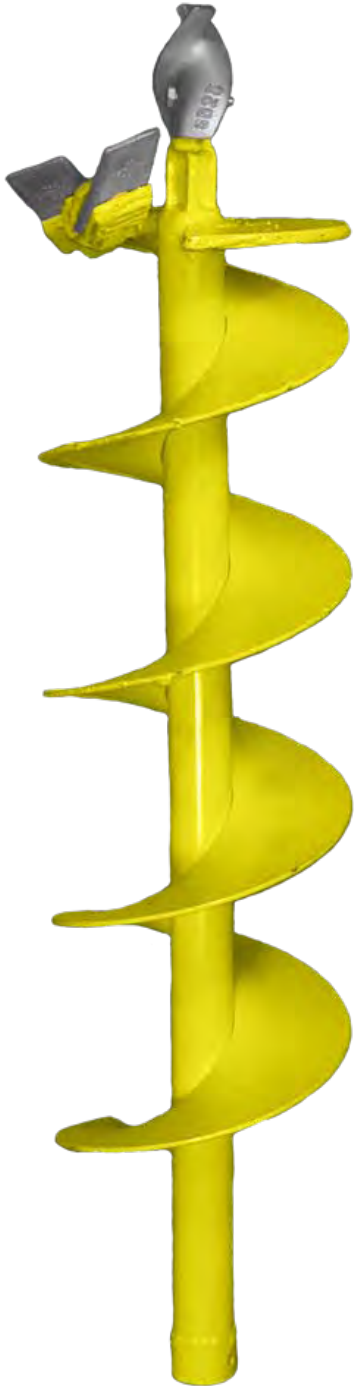


- 4' Standard Stocking Length
- 3', 4', 6' Available on Request
- Cast Steel Tooth Pockets

Standard Hub Sizes Available: 2" Round  
2 9/16" Round  
2" Hex

Diameter	Teeth Per Auger	Approx lbs.
4.5	4	60
6	6	66
7	8	80
8	8	87
9	8	102
10	10	105
12	12	134
14	14	160
16	16	203
18	18	225
24	22	291
30	24	340
36	30	395

# Handheld Augers



## Standard Hub Sizes Available:

- 1-1/4" Square - Little Beaver (Male with Clip)
- 1-1/4" Round w/lock - Stihl (male)
- 1" Round - General (Female)
- 7/8" Square - GroundHog (Female)
- 7/8" Square - Tioga
- 1-3/8" Hex - General (Female)
- 1-1/4" Hex - Stanley (Male)

## Standard Available Lengths - 36" or 42"

Diameter	Teeth Per Auger	36" Approx lbs.	42" Approx lbs.
2	N/A	8	9
3	N/A	10	11
4	N/A	17	15
6	5	18	20
7	5	18	21
8	5	23	25
9	5	27	30
10	5	27	30
12	5	30	32
14	6	38	40
16	8	45	47
18	8	47	50

# Ground Hog Augers



- 7/8" Square - GroundHog (Female)
- Threaded Pilot Bit

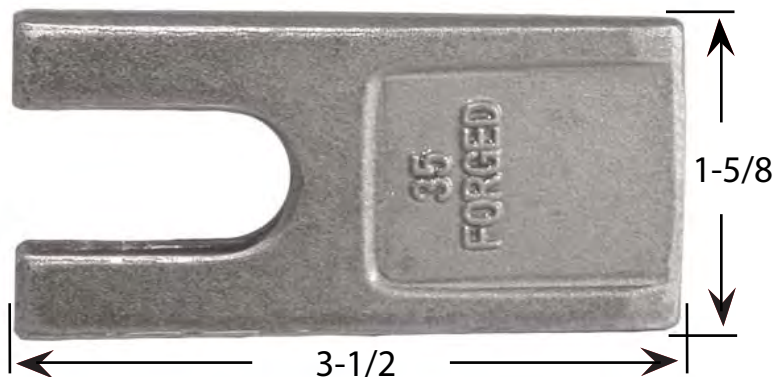
Standard Available Lengths - 36" or 42"

Diameter	Teeth Per Auger	36" Approx lbs.	42" Approx lbs.
2	N/A	8	9
3	N/A	10	11
4	N/A	17	15
6	5	18	20
7	5	18	21
8	5	23	25
9	5	27	30
10	5	27	30
12	5	30	32
14	6	38	40
16	8	45	47
18	8	47	50

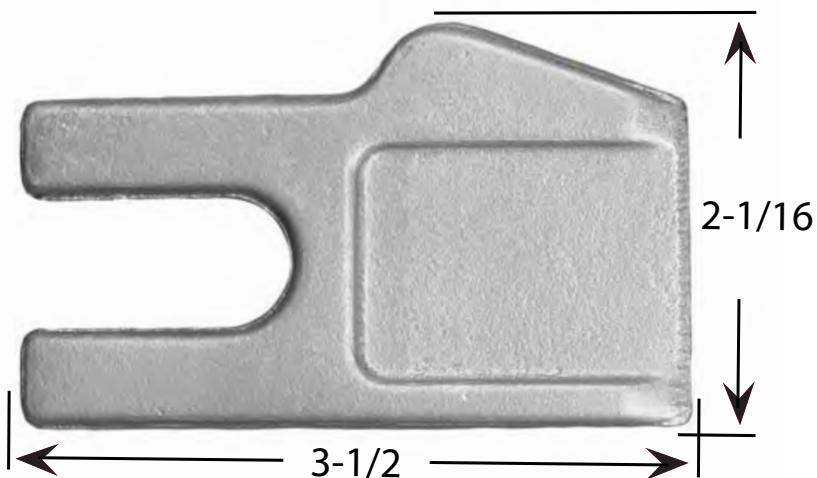


# 35 Series Teeth

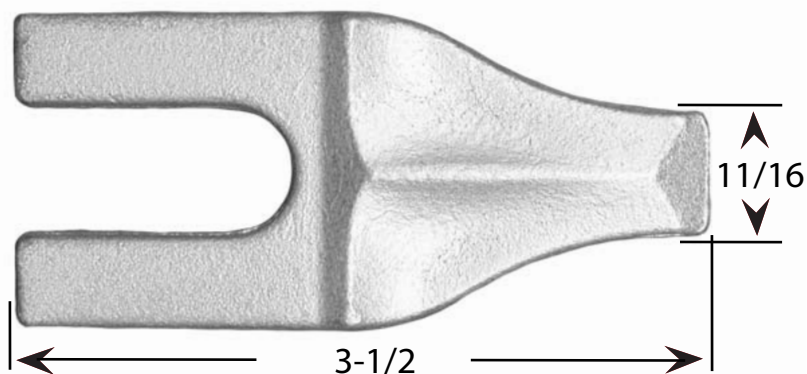
## Standard



**35-I**



**35G-I**



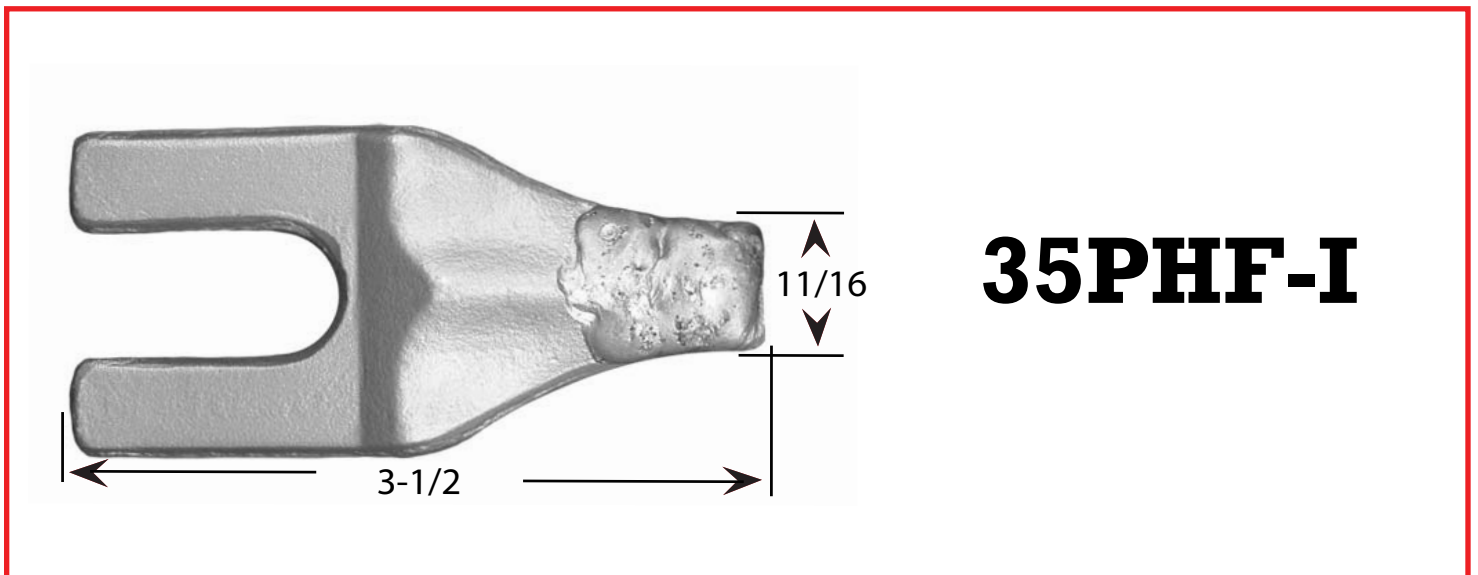
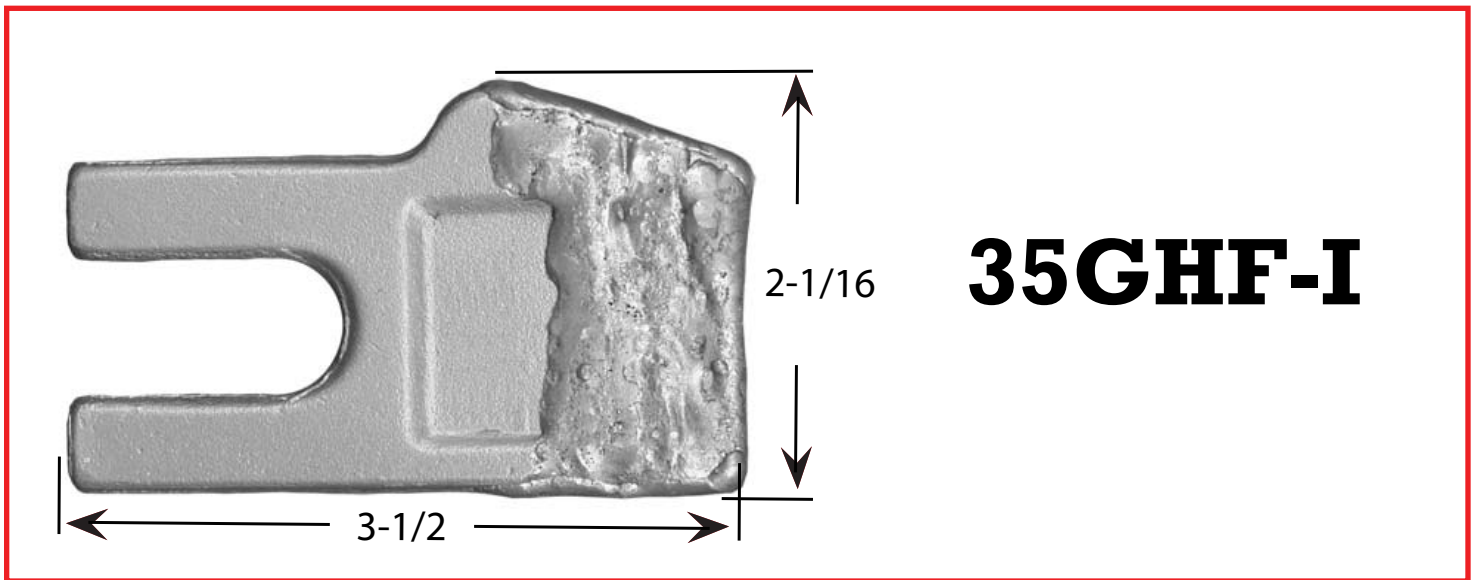
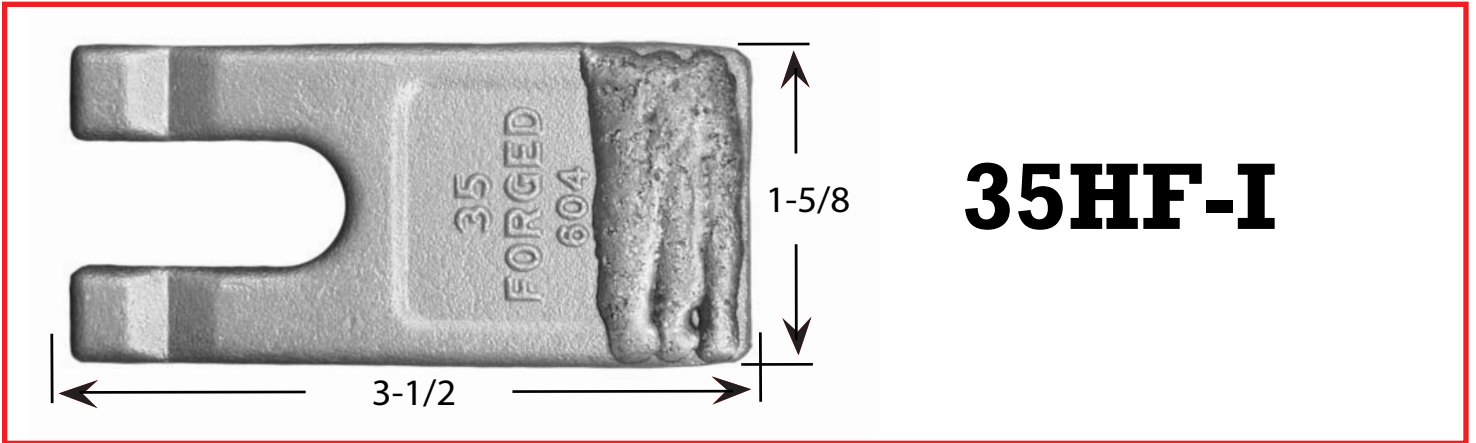
**35P-I**



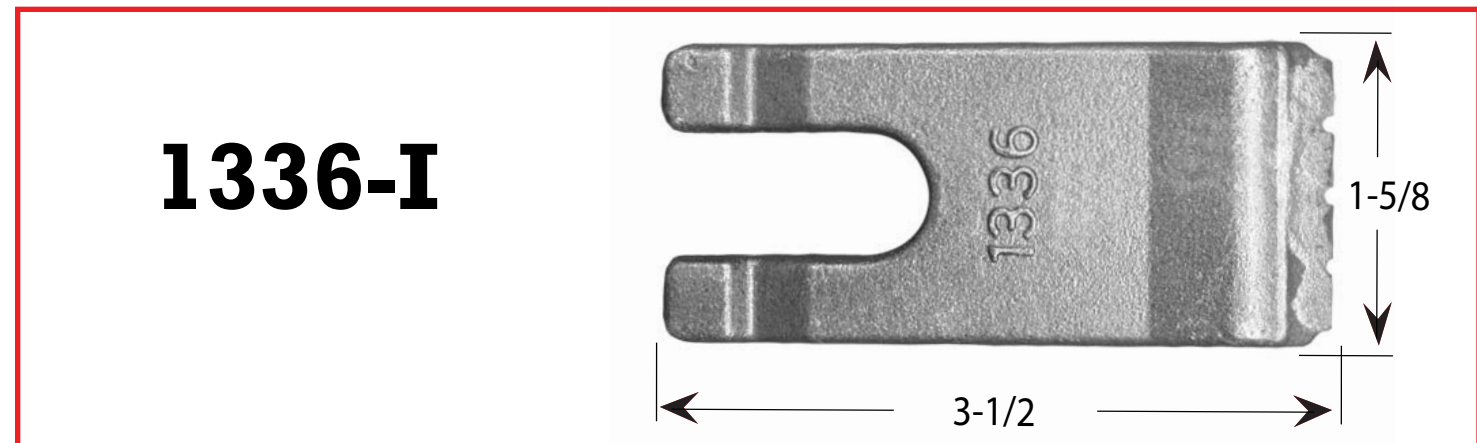
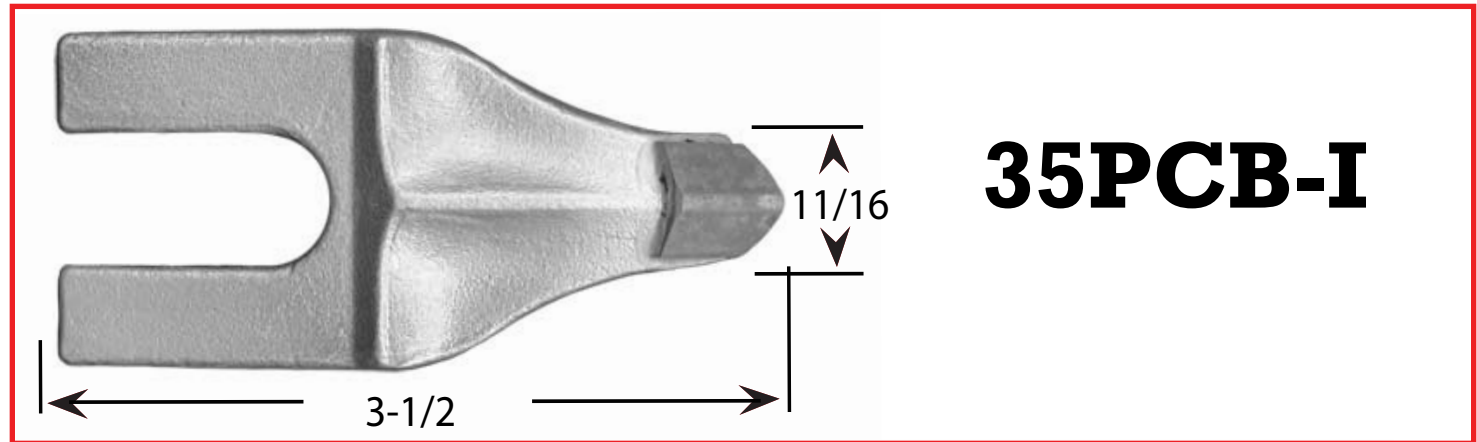
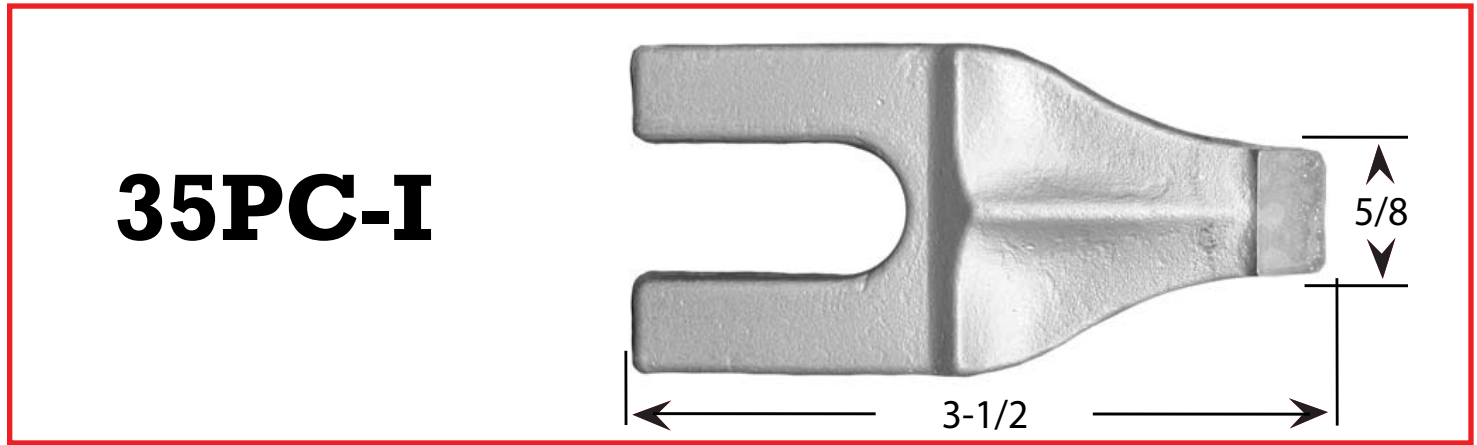
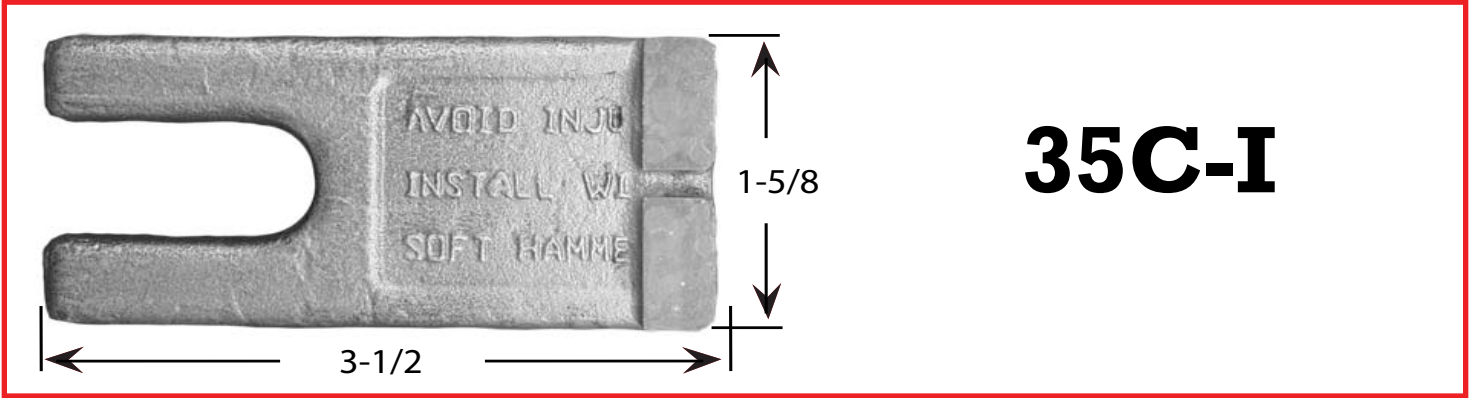
**Tooth Lock**  
**LL-I**

# 35 Series Teeth

## Hard Faced

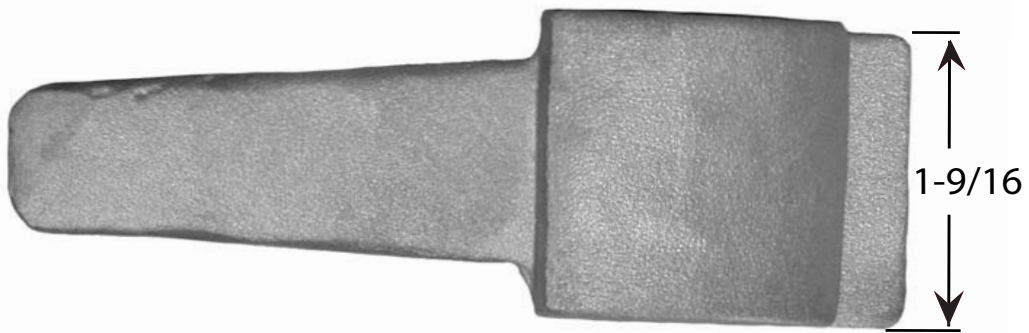
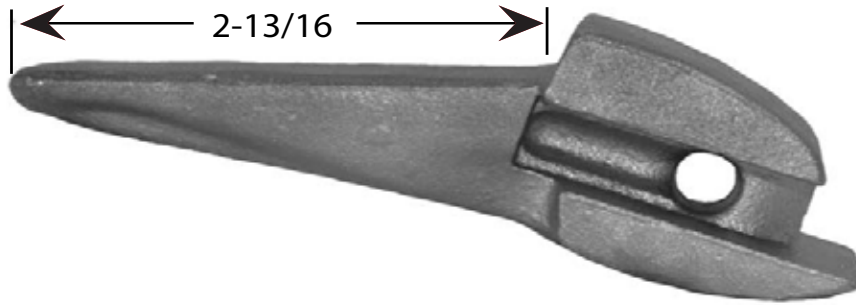


# 35 Series Teeth Carbide

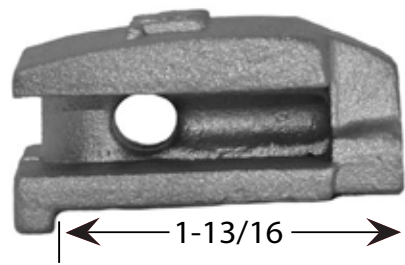
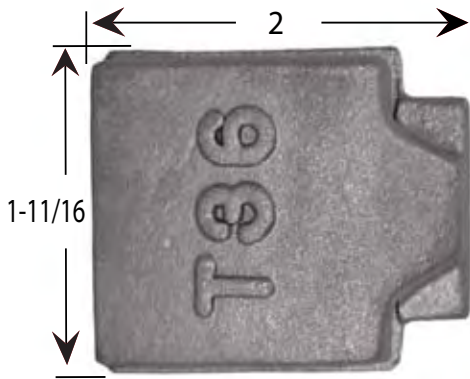


# 35 Series Holder

## T35-I



## T36-I



# CB4 Pilot Bit

**CB4-SQ-I**



1" Inch  
Shank

# CB4 Pilot Bit

**CB4-I**





# SB Dirt Pilot Bits



Standard



Carbide Tip-C



Hard Faced-HF



Carbide Edge-CXC



Hard Faced Tungston Carbide  
HFTC

DrillingWorld SB Pilot Bits are available to upgrade for your any of your drilling needs.

Part No.	Diameter	Lug Size	Unit lbs.
SB25-I	2 1/2"	Small	0.8
SB30-I	3"	Small	1.0
SB35-I	3 1/2"	Med.	2.0
SB45-I	4 1/2"	Med.	3.0

# SB Dirt Pilot Bits

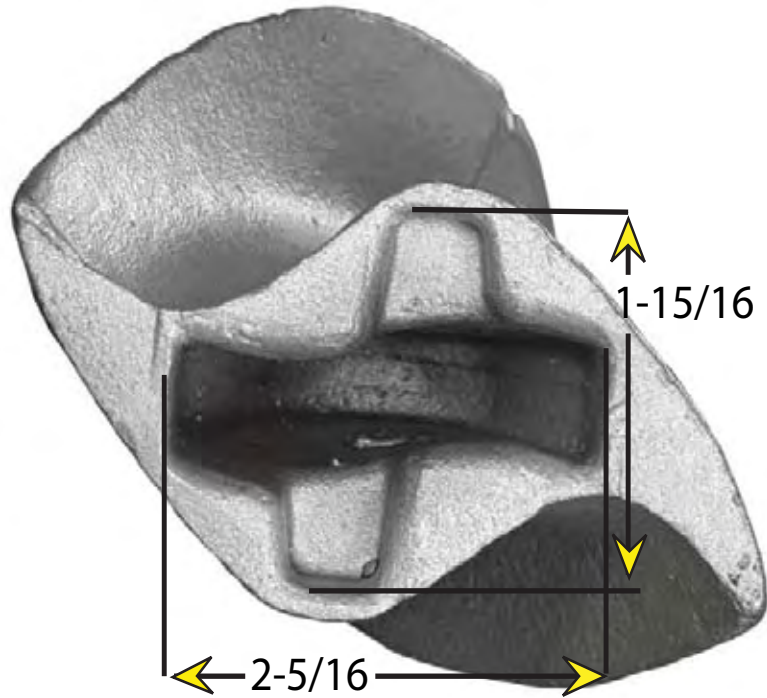
**SB35SQ-I**



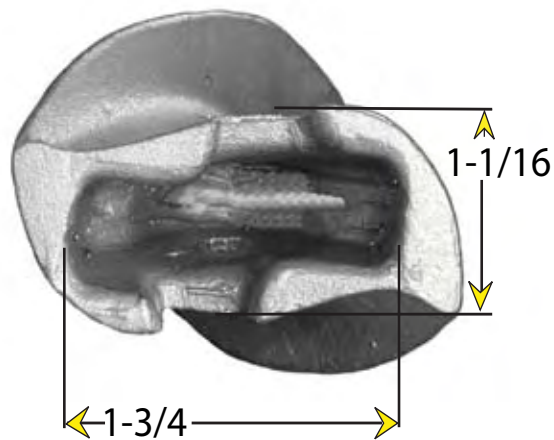
**1-1/4" Inch  
Shank**



# Drive Lugs - Fitment Guide



**Medium Drive Lug**  
Fits SB35 to SB45



**Small Drive Lug**  
Fits SB25 & SB30

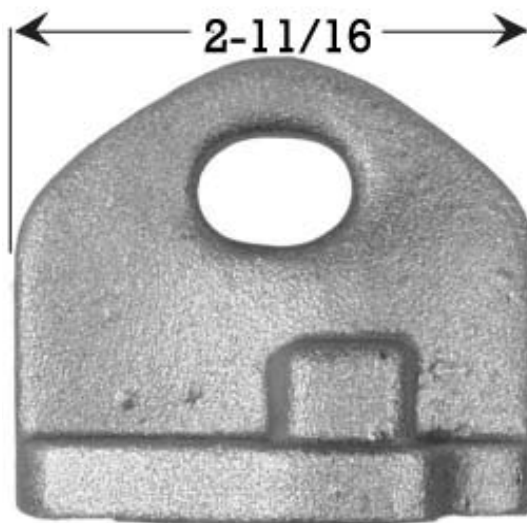
# Drive Lugs

**141M-I**



Used with  
SB35 & SB45

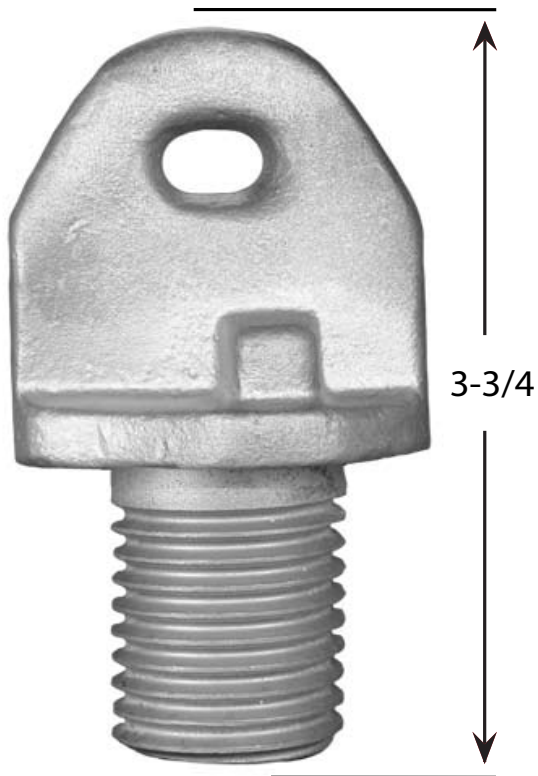
**141L-I**



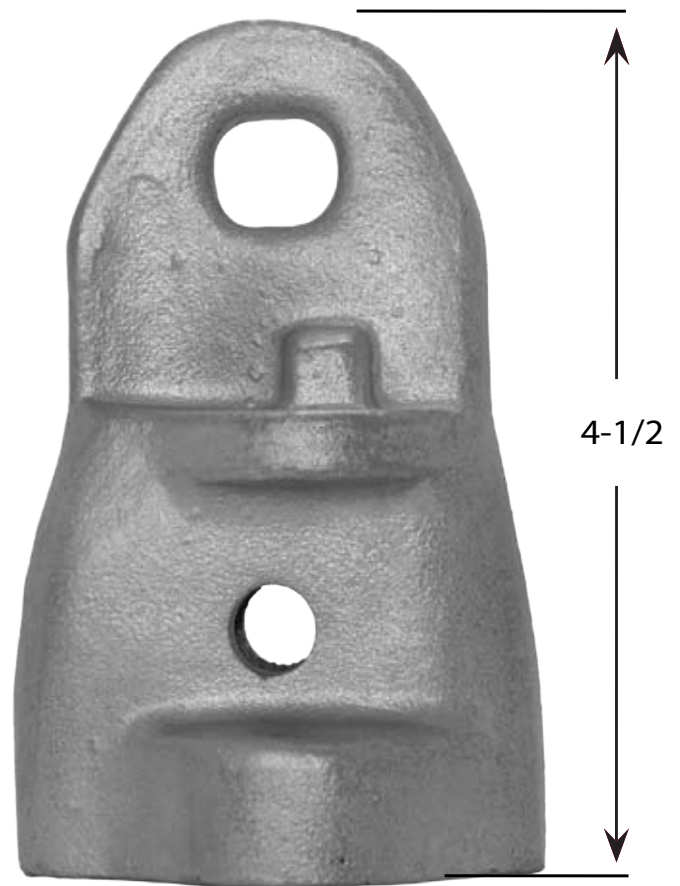
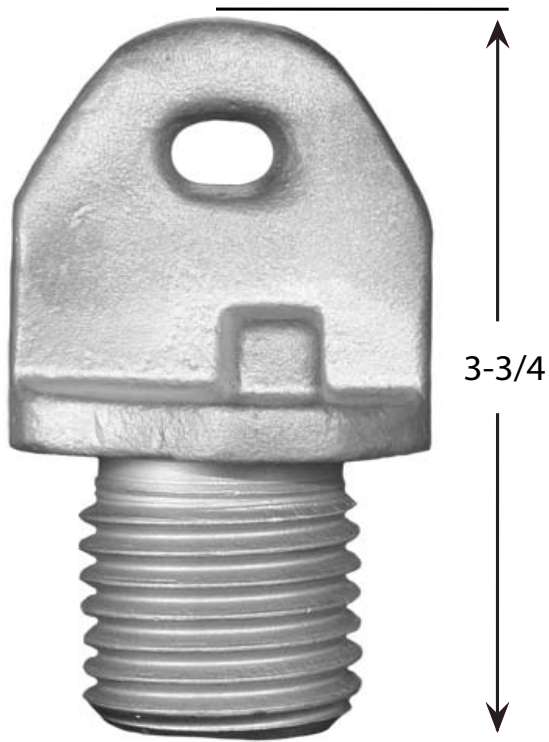
Used with  
SB50

# Drive Lugs

**141M-1.25-I**



**141M-1.50-I**



**MF-MM-I**

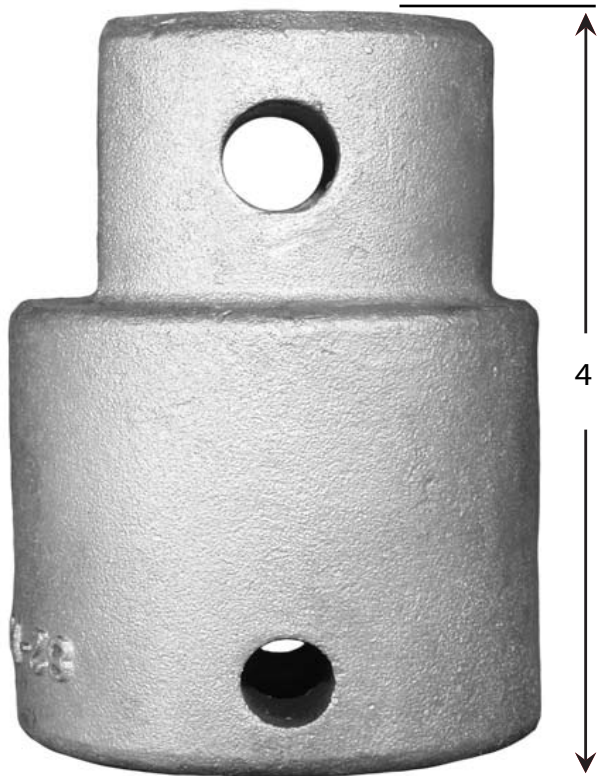
Pilot Extension

# Drive Lugs



**22189-I**

1-1/2 Square

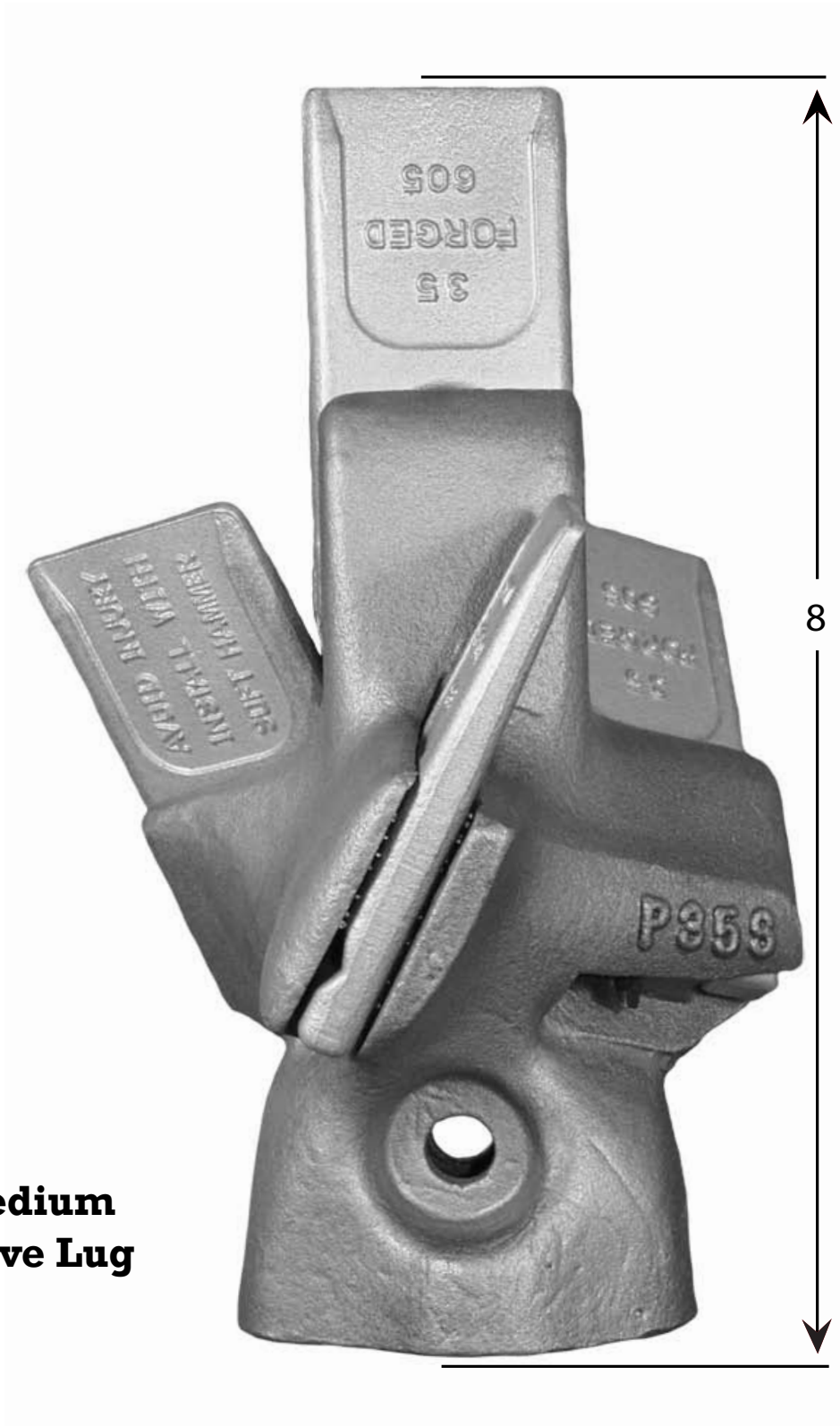


**82P234PA-I**

Adapts "D Collar" to Square

# Dirt Pilot Bits

## P35S-I



**Medium  
Drive Lug**

**\*Not Actual Size**



# Dirt Pilot Bits

**P35M-I**



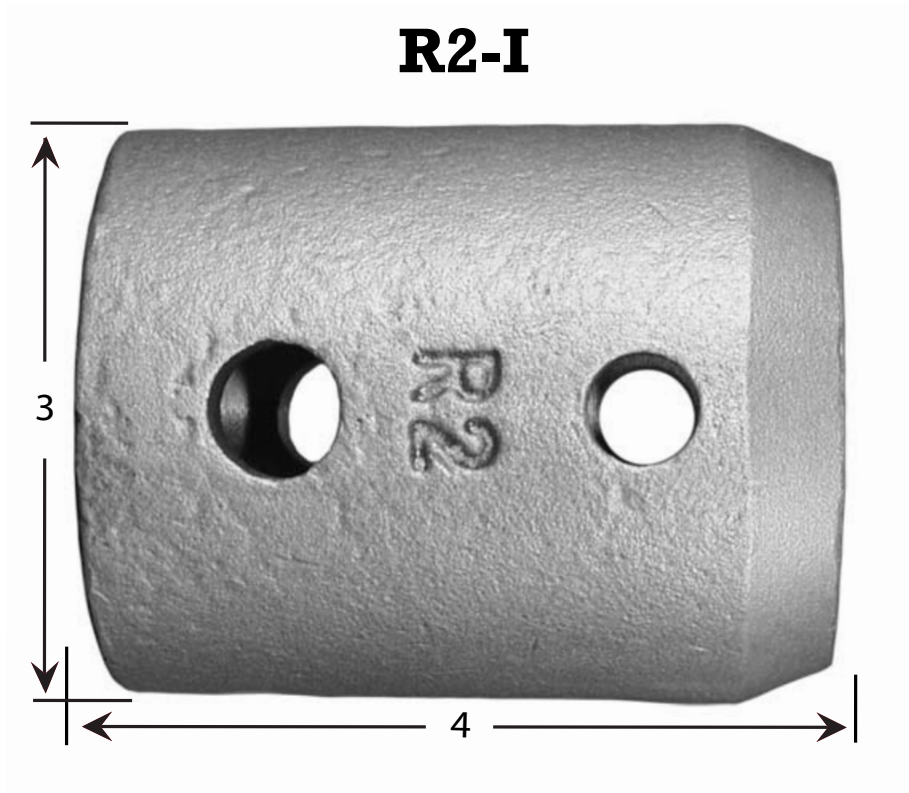
**Medium  
Drive Lug**

**\*Not Actual Size**

[www.drillingworld.com](http://www.drillingworld.com)

# Hubs

## R2-I



## R256-I



# Hubs

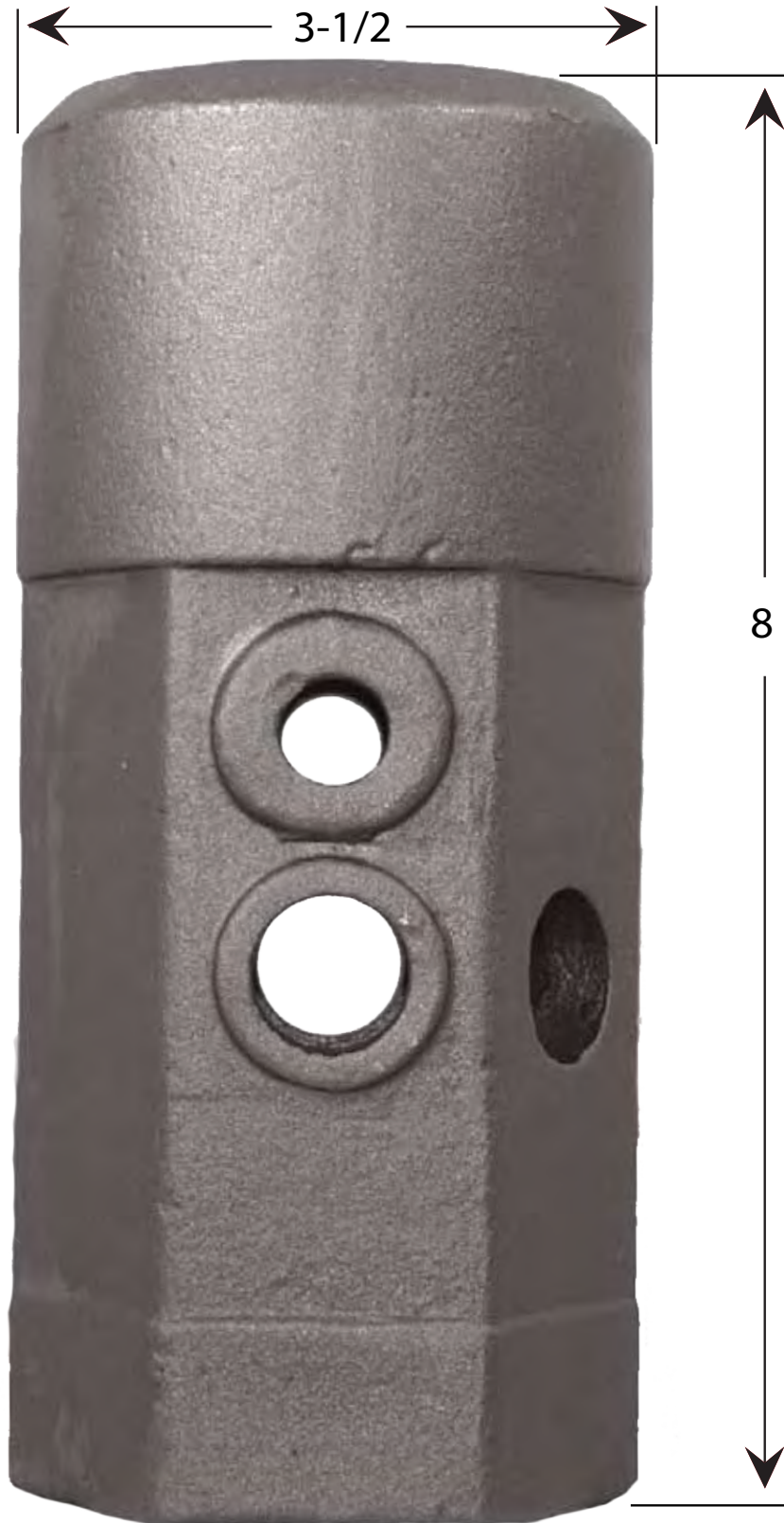
**S150-I**





# Hubs

## H2-1



# Extensions & Tools



Hole size - 11/16"

Part No.	Description	Length	Approx Wt.	
			lbs.	kgs.
HE2-12	2" Hex M/F	12"	20	9
HE2-24	2" Hex M/F	24"	32	15
HE2-36	2" Hex M/F	36"	44	20
HE2-48	2" Hex M/F	48"	56	26
HE2-60	2" Hex M/F	60"	68	31
HE2-72	2" Hex M/F	72"	80	36

## Drift Punch



Aids in the removal of Groove and U-Pins

Description	Part #
Drift Punch	006038

## Pointed Hammer

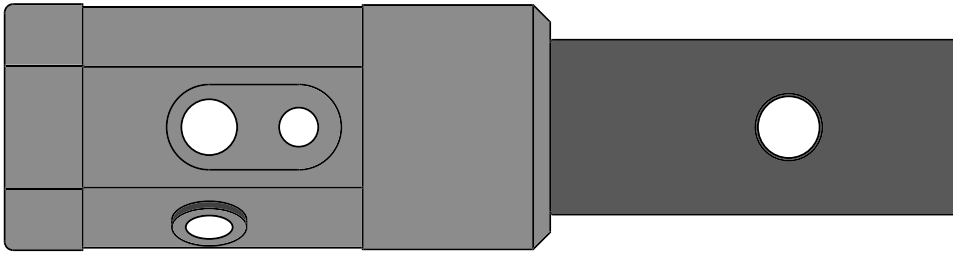


Aides in the removal of Groove and U-pins

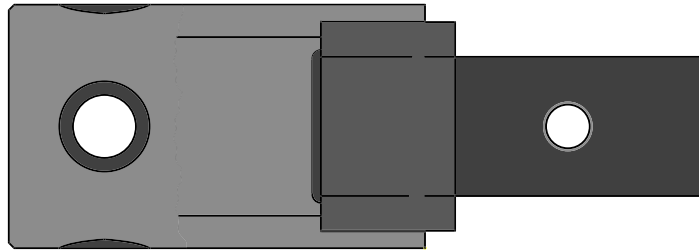
Description	Part #
Pointed Hammer	130108

# Adapters

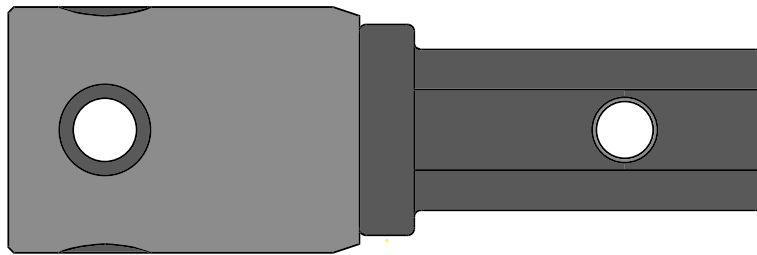
**H2-256R-I**



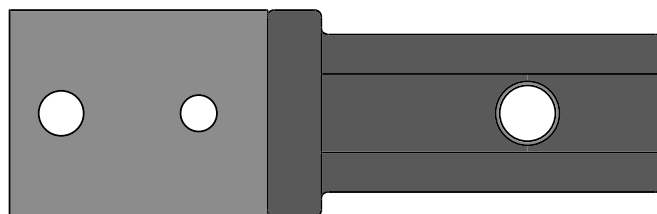
**R256-2R-I**



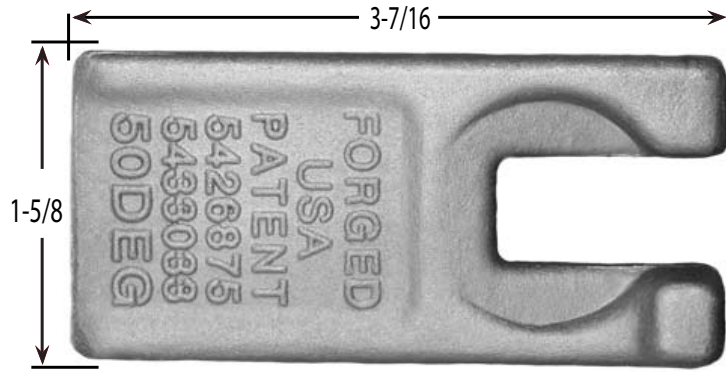
**R256-2H-I**



**R2-2H-I**



# Pengo® Teeth



**40/50**



**40/50HF**



**40/50C**

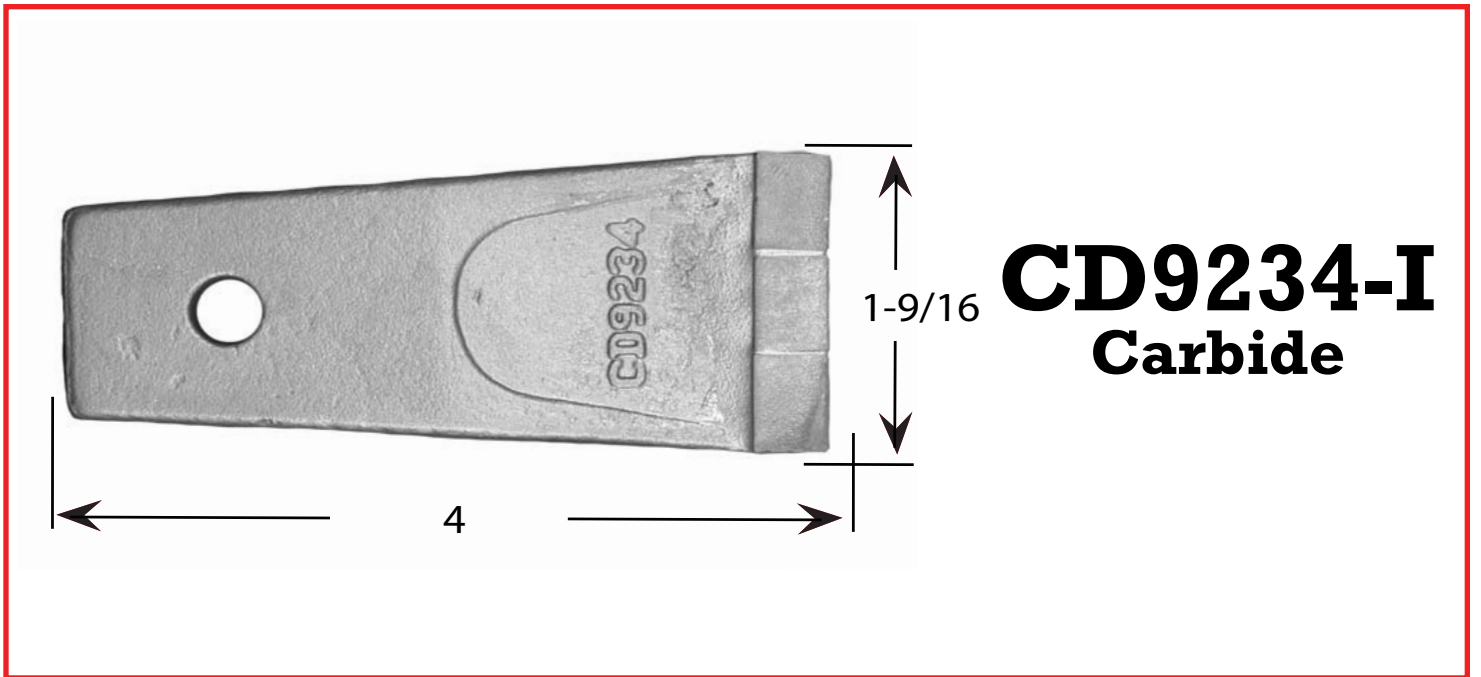
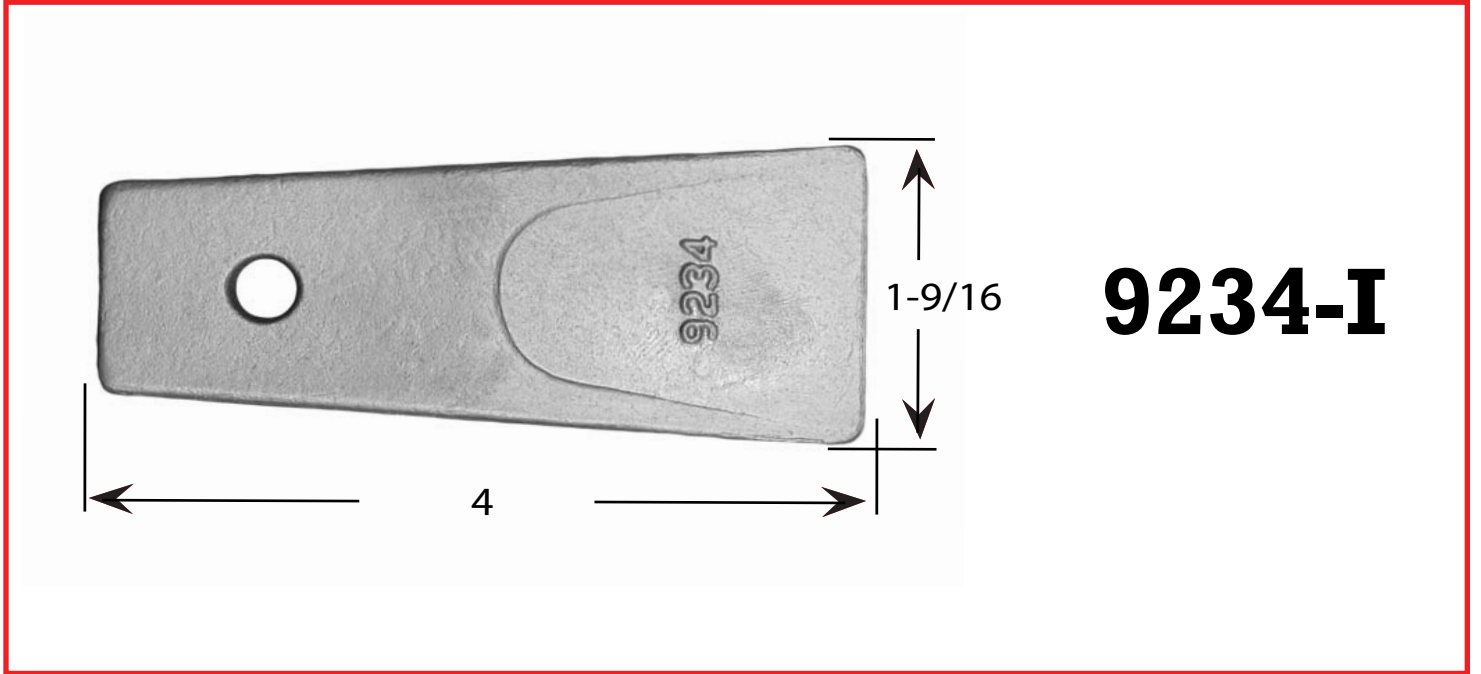
# CB4 Pilot Bit

**CB4-PA-I**



“D” - Collar

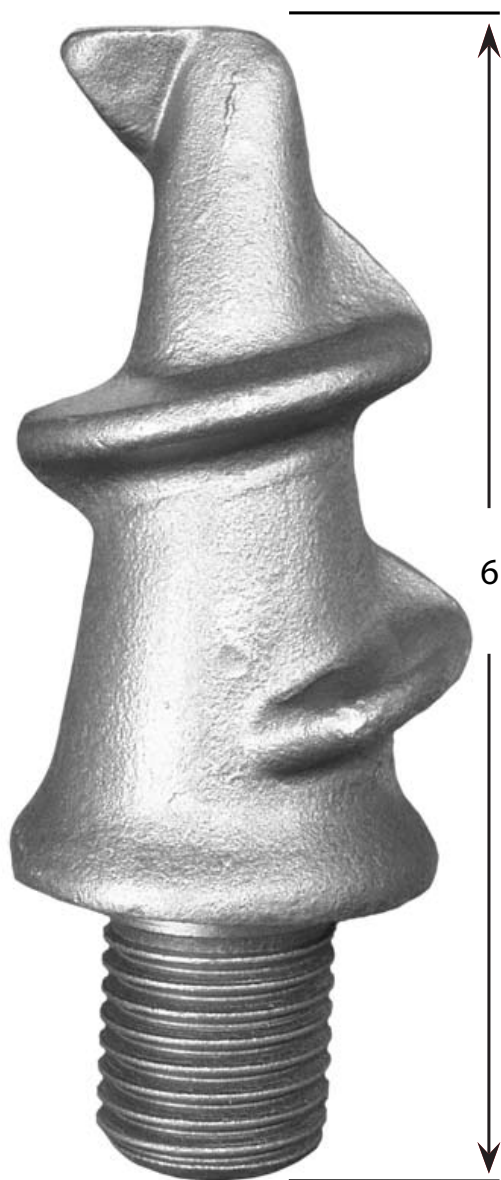
# Danuser® Teeth





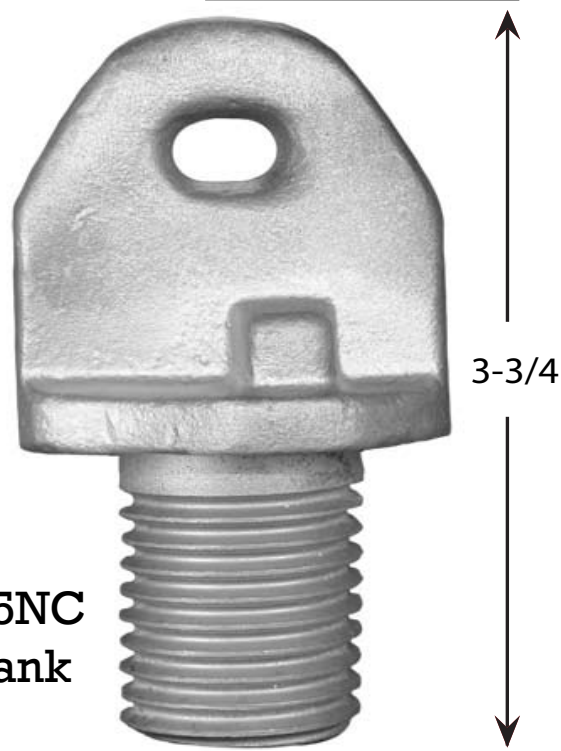
# Danuser® Pilot Bit/Lugs

**831-I**



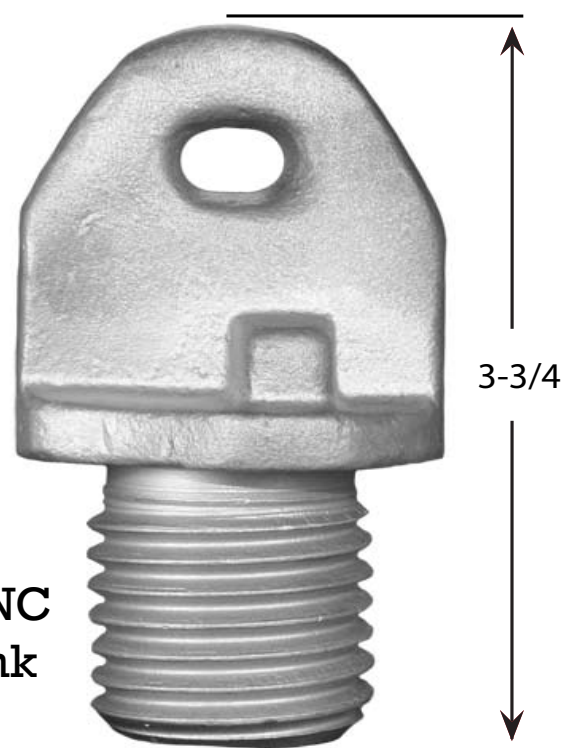
**1.25NC  
Shank**

**141M-1.25-I**



**1.25NC  
Shank**

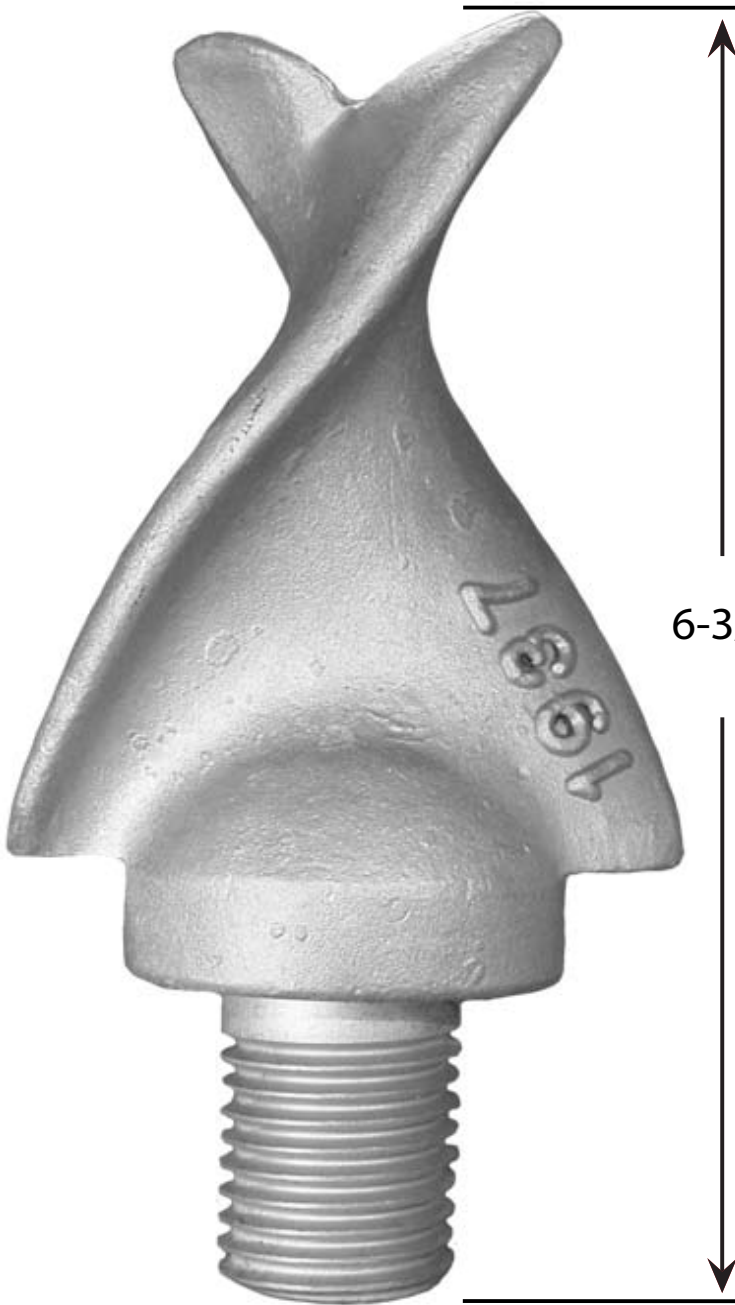
**141M-1.50-I**



**1.50NC  
Shank**

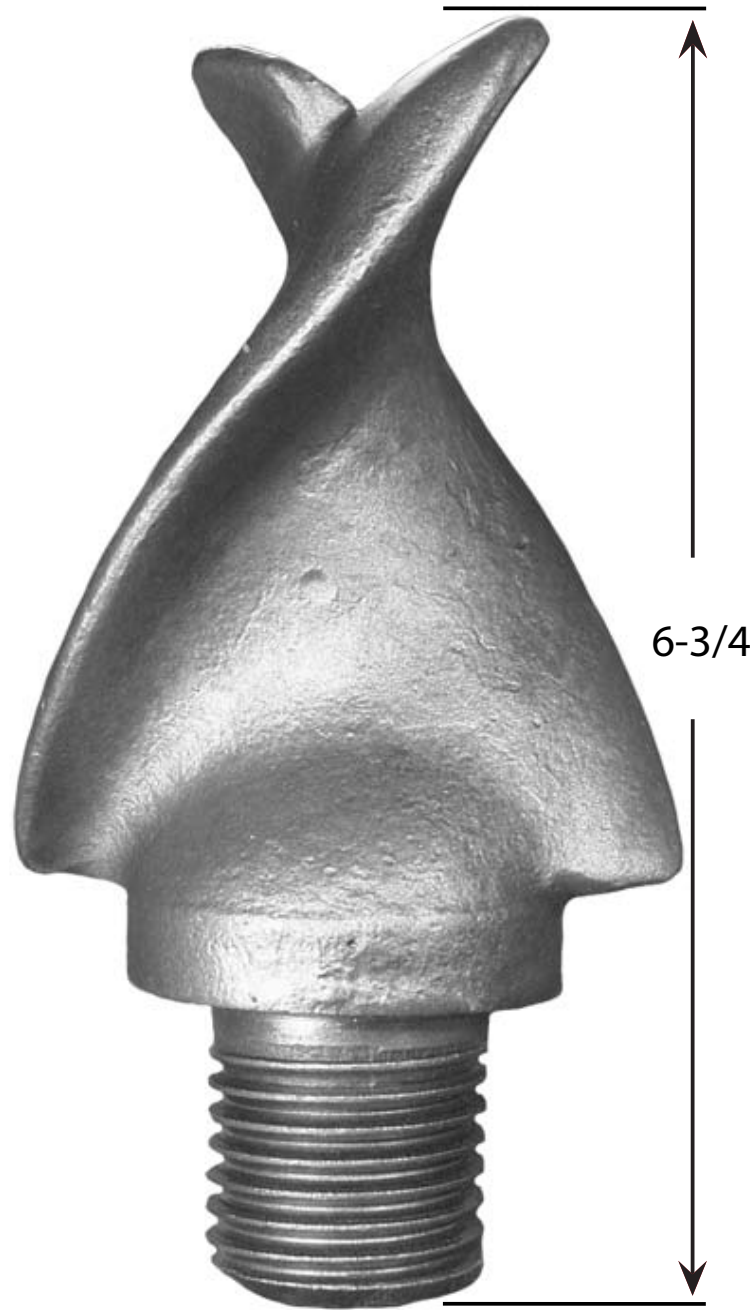
# Danuser® Pilot Bit

**1937-I**



**1.25NC  
Shank**

**9353-I**

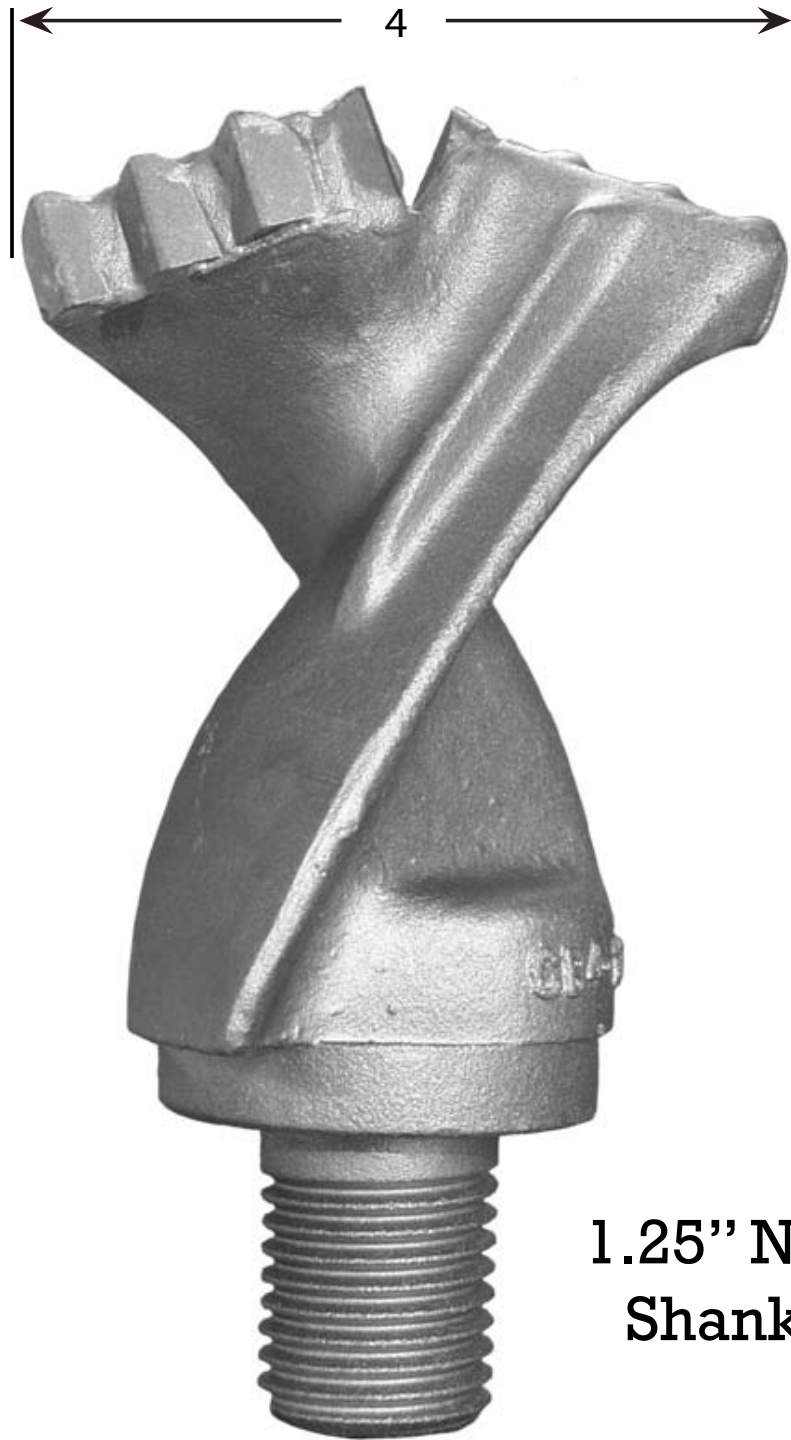


**1.5NC  
Shank**



# CB4 Pilot Bit

**CB4-1.25-I**



1.25" NC  
Shank

# CB4 Pilot Bit

**CB4-1.5-I**



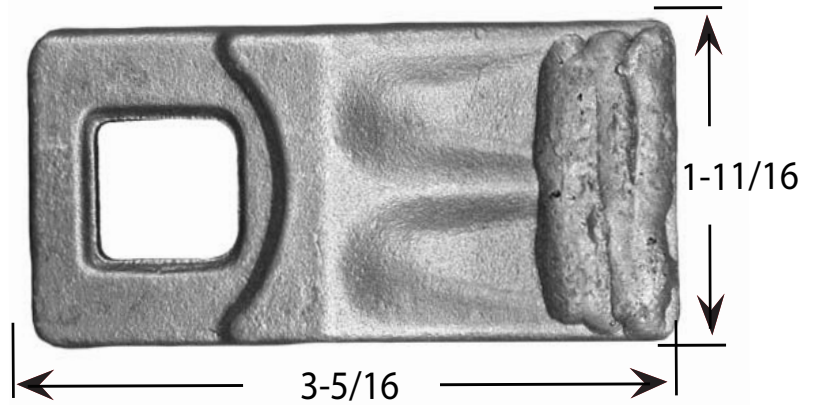
1.5" NC  
Shank

# Lowe®/Beltec® Series Teeth



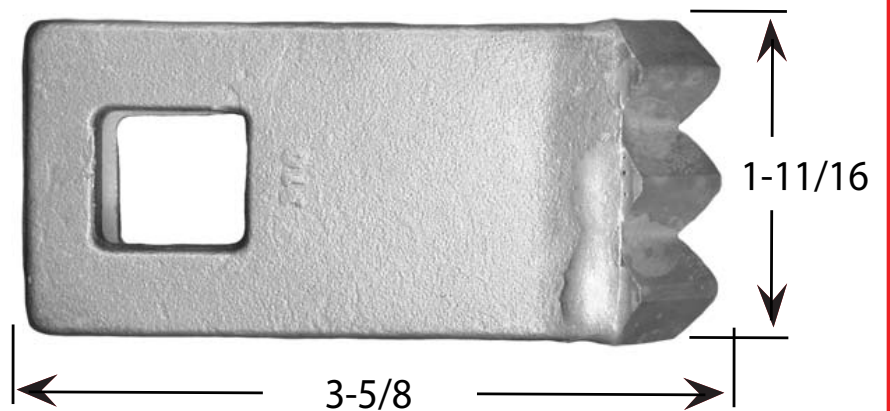
**BC58F-I**

**BC58F-HF-I**



**L1336-I**

**LRB36-I**



# Lowe® CB4 Pilot Bit

**CB4-LA-I**



**Lowe® Connection  
Shank**

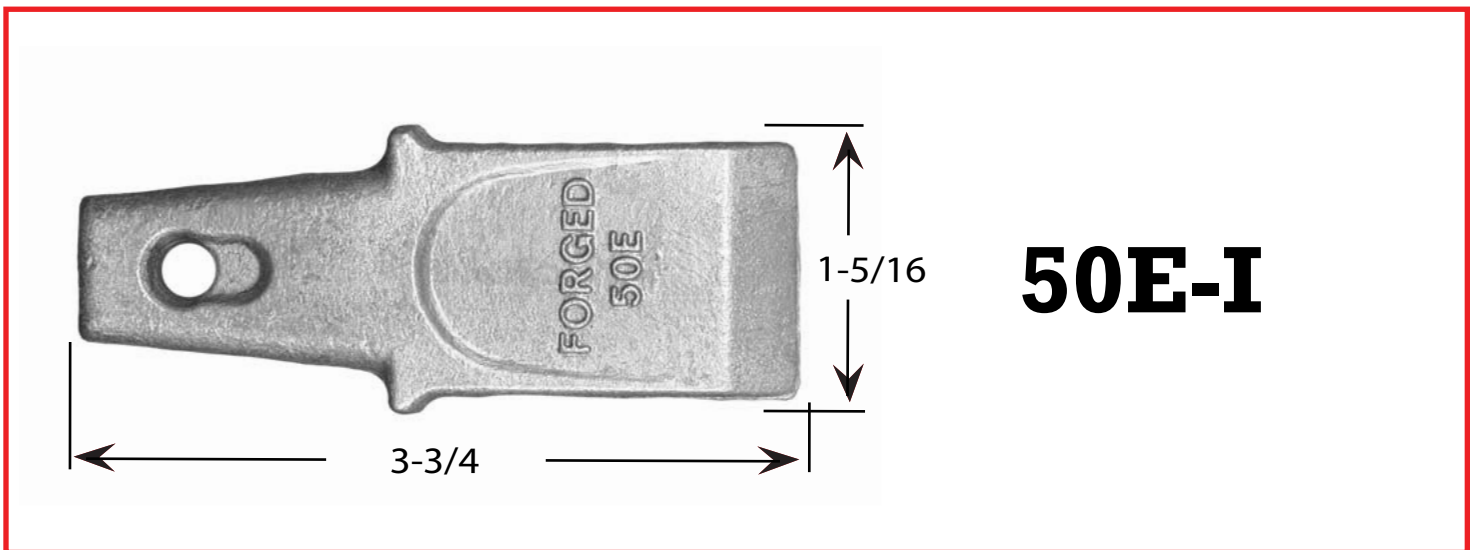
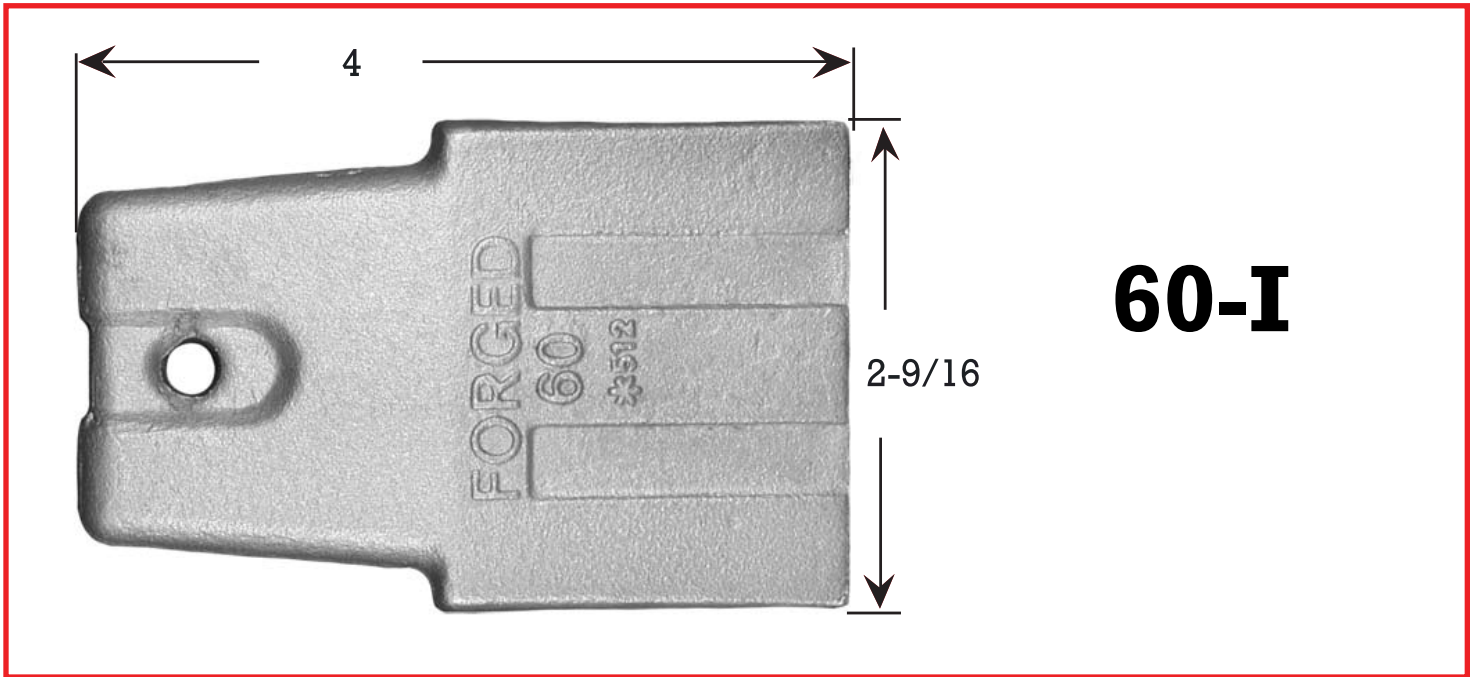
# Lowe® Screw Bits

## CAP55B-I



Lowe® Connection  
Shank

# Dandy Digger® Teeth



**Tooth Lock  
RL60**



**Tooth Lock  
RL50**